

LX POWER AND CONTROL

The LX series of stackers offers a huge range of equipment for the professional looking for quality and added value. Designed to be utilised in professional applications in warehouse and handling, these machines come fitted with many standard features, with many further options available such as the MOSFET transistor control and a SEM drive motor.



Footplate

- It is available a footplate useful when cover longer distances or heavy applications are required.



Tiller head and controls

- Large butterfly control allows accurate speed and direction control.
- Hour meter and battery discharge indicators.
- Safety button and horn are located on the top of the tiller head.



Sideways Battery Exit

- In addition to the upper cover, the battery housing can be accessed by removing the side cover, allowing easier battery changing.



AVAILABLE WITH A DOUBLE FORK
LIFTING COMMAND (OPTIONAL)

MODEL				LX 12/16	LX 12/25	LX 12/29	LX 12/35	LX 16/16	LX 16/25	LX 16/29	LX 16/35
CAPACITY	Q	Nominal load	Kg	1200	1200	1200	1200	1600	1600	1600	1600
CENTER OF GRAVITY	C	Distance	mm	600	600	600	600	600	600	600	600
DRIVING SYSTEM		Pedestrian	Type	•	•	•	•	•	•	•	•
DIMENSIONS											
ELEVATION	h3	Elevation	mm	1600	2500	2900	3500	1600	2500	2900	3500
	h2	Normal free elevation	mm	1510	-	-	-	1510	-	-	-
LENGTH	l	Fork length	mm	1150	1150	1150	1150	1150	1150	1150	1150
	nx51	Fork width x thickness	mm	150x70	150x70	150x70	150x70	170x70	170x70	170x70	170x70
DIMENSIONS	L	Total length (+footplate raised/lowered)	mm	1964 (2056/2467)				1991 (2083/2494)			
	L2	Steer unit length (+footplate raised/lowered)	mm	809 (901/1312)				841 (933/1344)			
	B	Width	mm	850	850	850	850	850	850	850	850
	h1	Minimum dimensions	mm	1965	1765	1965	2265	1965	1765	1965	2265
	h4	Maximum dimensions	mm	1965	2970	3370	3970	1965	2970	3370	3970
TURNINGS RADIUS	Wa	(platform raised/lowered)	mm	1586 (1639/2096)				1649 (1702/2169)			
STOWAGE PASSAGE	Ast	800x1200 (platform raised/lowered)	mm	2228 (2301/2712)				2241 (2314/2725)			
PERFORMANCE											
SPEED		Translation with/without load	km/h	5,5/6	5,5/6	5,5/6	5,5/6	5,5/6	5,5/6	5,5/6	5,5/6
		Lifting with/without load	m/s	0,09/0,15	0,09/0,15	0,09/0,15	0,09/0,15	0,08/0,12	0,08/0,12	0,08/0,12	0,08/0,12
		Descent with/without load	m/s	0,4/0,1	0,4/0,1	0,4/0,1	0,4/0,1	0,4/0,1	0,4/0,1	0,4/0,1	0,4/0,1
MAX SUPERABLE GRADIENT		With/without load	%	5/10	5/10	5/10	5/10	5/10	5/10	5/10	5/10
WEIGHTS											
EMPTY WEIGHT		With battery 180 Ah	kg	650	725	780	790	754	849	874	914
AXLE LOADING		With load (driver/load)	kg	618/1232	666/1259	683/1267	709/1281	769/1585	810/1639	832/1642	838/1676
		Without load (driver/load)	kg	445/205	493/232	510/240	536/254	506/248	570/279	592/282	598/316
FRAME											
WHEELS		Driver side/load	Nr	2+1M/2	2+1M/2	2+1M/2	2+1M/2	2+1M/4	2+1M/4	2+1M/4	2+1M/4
		Driver side/load	type	P+G/P	P+G/P	P+G/P	P+G/P	P+G/P	P+G/P	P+G/P	P+G/P
TYRES		Drive wheel dimensions	mmØ	250x76	250x76	250x76	250x76	250x101	250x101	250x101	250x101
		Stabilizer wheels dimensions	mmØ	125x50	125x50	125x50	125x50	125x50	125x50	125x50	125x50
		Load side dimensions	mmØ	82x70	82x70	82x70	82x70	82x70	82x70	82x70	82x70
WHEELS BASE	Y	Back/Front	mm	1363	1363	1363	1363	1429	1429	1429	1429
	X	Front/Forks end	mm	371	371	371	371	332	332	332	332
OPERATING BRAKE		Electric	type	•	•	•	•	•	•	•	•
ELECTRICAL EQUIPMENT											
ELECTRIC MOTORS		Traction motor	kW	1,2	1,2	1,2	1,2	1,2	1,2	1,2	1,2
		Lifting motor	kW	2,5	2,5	2,5	2,5	2,5	2,5	2,5	2,5
SPEED CONTROL		Electronic	type	•	•	•	•	•	•	•	•

G=Rubber, P=Polyurethane, M=Motor wheel

OPTIONALS

FOOTPLATE

DOUBLE LIFTING COMMAND

POLYURETHANE DRIVING WHEEL RING

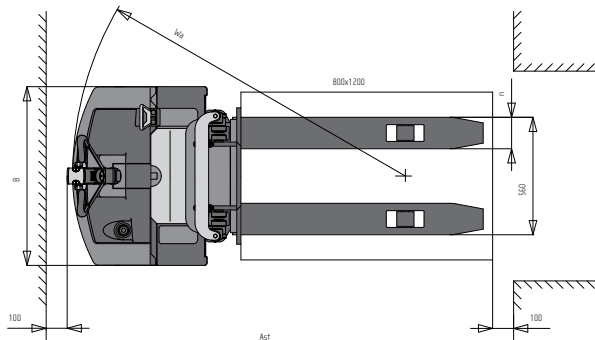
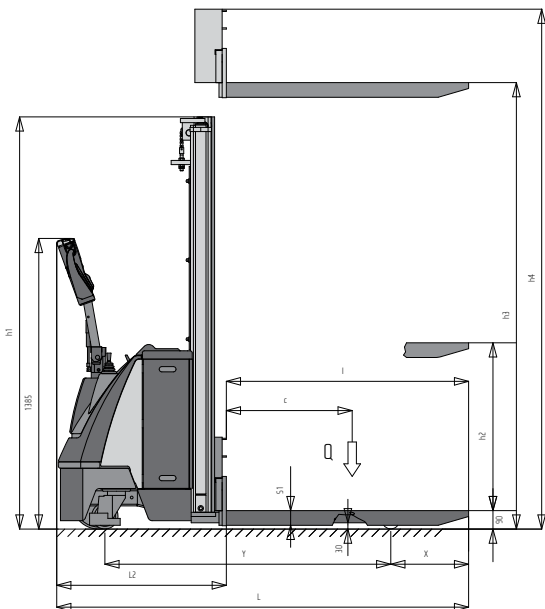
ACCESSORIES

BATTERY

TYPE	V/Ah	24/180	24/210	24/315
ENDURANCE	h	6	8	10
WEIGHT	Kg	200	215	285

CHARGER

TYPE	V/A	24/30	24/40	24/50
------	-----	-------	-------	-------



The producer reserves the right to introduce changes to models and features without prior notice.